



Features & Benefits

- ✓ High quality exterior LED pathway lighting
- ✓ Designed for harsh environmental conditions and heavy traffic areas
- ✓ The Ø 60mm unit installs flush into stone and pavers with a thickness of >7cm
- ✓ Quick and easy to install with a plug and play wiring system
- ✓ Solid walk/drive-over construction designed for loads up to 500kg
- ✓ Sustainable and energy efficient LED technology
- ✓ Available in monochrome colors; warm white, cool white, blue and RGB

Applications

- ✓ Tile, stone, pavers & concrete
- ✓ Sidewalks & driveways

Outdoor Extreme

Eyeleds® Outdoor Extreme is a range of exterior recessed LED pathway lighting, designed to last in harsh environmental conditions and heavy traffic areas. Outdoor Extreme is intended for decoration, orientation, marking for guiding, and safety, in residential and public landscape designs.

The LED units are available in diffused cool white, warm white, blue monochrome light and RGB versions. The Outdoor Extreme CS RGB range offers the same color cycle and color stop features as the indoor version ColorEYE CS. The flush mounted Outdoor Extreme LED unit recesses 62mm in a 60mm diameter hole in stone and pavers.

Eyeleds® Outdoor Extreme is the perfect blend of durability, functionality and aesthetics.

Specifications

Lumen Output

Cool White LED 3 lm

Power Consumption 0,8W / 61mA

Efficacy 3,75 lm/W

Rated Life up to 100.000 Hours

LEDs SMD (Top LED)

Materials

Housing Polyurethane

Potting Compound 2-Component Polyurethane

Walkover Pressure Max. 500kg / 5000N*

IK IK10

Surface Temperature Max. 37 °C

Operating Temperature -20°C to +45°C

Voltage 12V DC

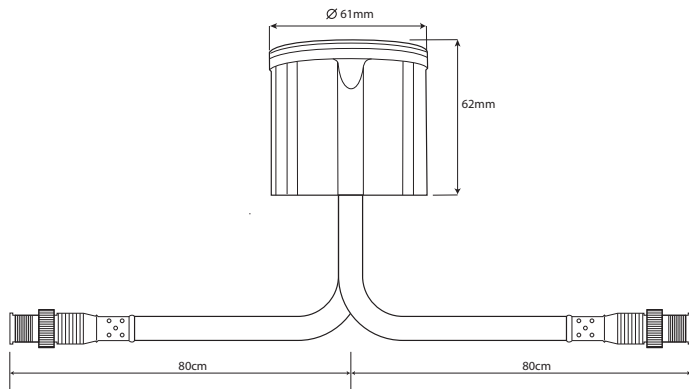
Warranty 3 Years Limited

Standards

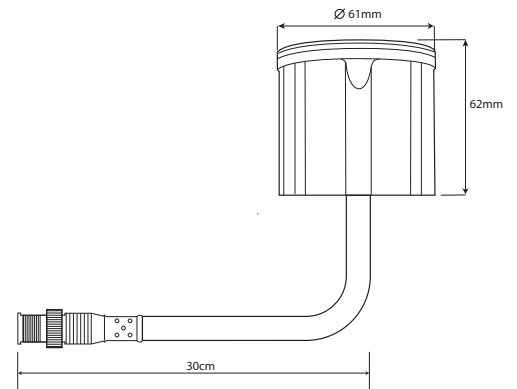


Environment IP67, outdoor rated

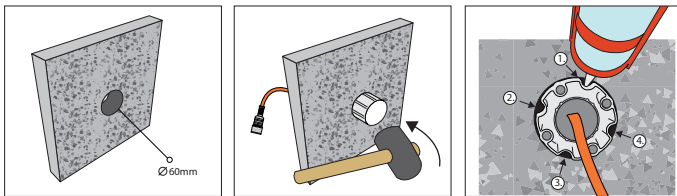
Dimensions - Linkable LED Unit



Dimensions - End LED Unit

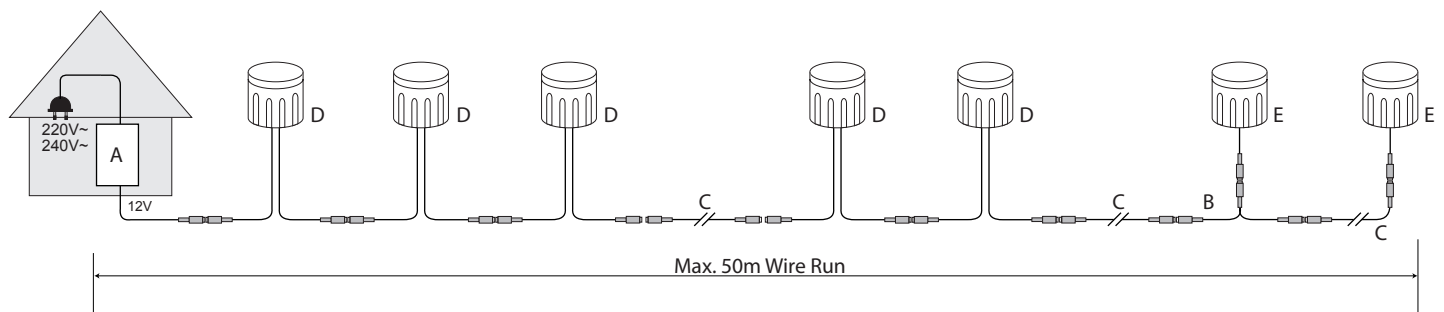


Installation



CAUTION: Always ensure the accessibility of cables and cable connections for potential interchangeability of components after the installation is completed. Do not install cables and connections directly in concrete, mortar or other adhesive bonding materials without using an accessible conduit system.

Example Connection Diagram



Ordering Information

Product	Description	Finish / LED Colour	Item # Linkable Unit (D)	Item # End Unit (E)
Outdoor Extreme	Single LED Unit	White PUR / Warm White LED	885.467.0U.00509	886.467.0U.00509
Outdoor Extreme	Single LED Unit	White PUR / Cool White LED	885.467.0U.39709	886.467.0U.39709
Outdoor Extreme	Single LED Unit	White PUR / Blue LED	885.467.0U.36209	886.467.0U.36209
Outdoor Extreme	Single LED Unit	White PUR / RGB LED	885.468.0U.09809	886.468.0U.09809

Accessory	#	Item Code	Accessory	#	Item Code	Accessory	#	Item Code
Power Supply with EU Plug - 12V DC / 12W	(B)	AZ.10.00.01U	Splitter 30 / 30cm	(D)	AZ.12.00.01U	Extension Cable 200cm	(E)	AZ.14.00.01U
Power Supply with UK Plug - 12V DC / 12W		AZ.86.00.01U	Splitter 60 / 60cm		AZ.22.00.01U	Extension Cable 500cm	(F)	AZ.13.00.01U
Power Supply with CH Plug - 12V DC / 12W		AZ.85.00.01U	Splitter 30 / 150cm	(C)	AZ.11.00.01U			
Power Supply RGB CS - 12V DC / 10W		324.043.0U.00202						